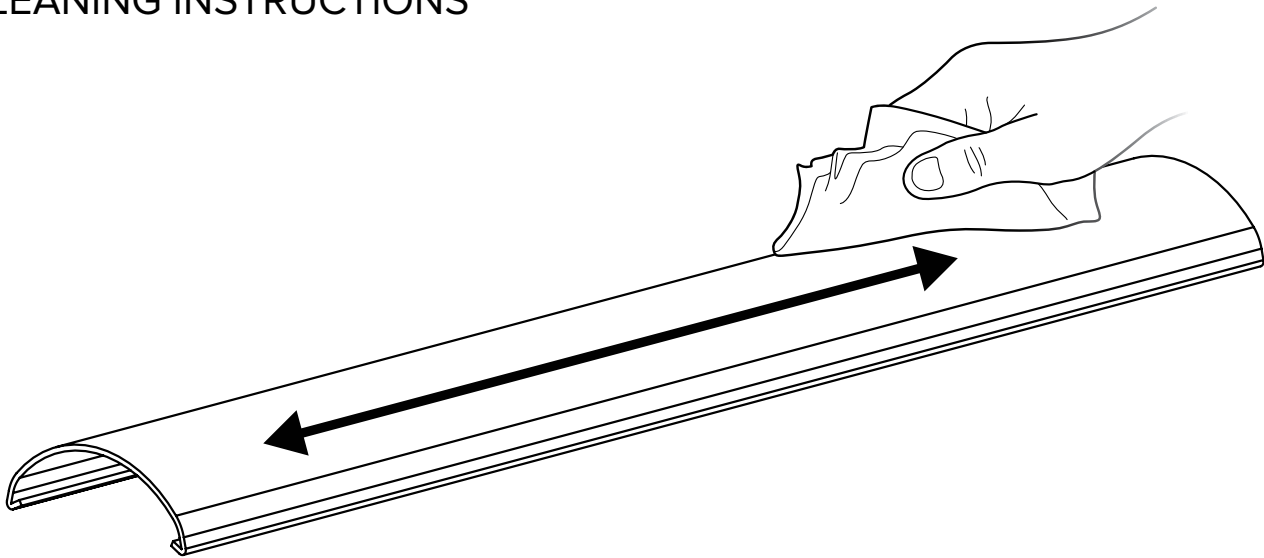


# Stainless Steel Bumper

## CLEANING INSTRUCTIONS



### Keep your Stainless Steel Bumper looking its best by following these simple cleaning tips.

- Always use a clean, microfiber cloth whenever cleaning stainless steel
- Wipe along the length of the bumper, in the direction of the grain of the brushed surface
- Use a soft, clean, microfiber towel for drying after cleaning
- Use cleaning products and methods appropriate to the level of cleaning:

Touch Up	Wipe with a damp (water) microfiber cloth to remove loose dirt and dust. Wipe dry to avoid water spots.
Clean	A small amount of dish detergent or soap will remove liquids, stickers and grime. Rinsing with water may be necessary. Wipe dry.
	Simple glass cleaner on a microfiber cloth removes fingerprints, oils and grime
Polish	Stainless steel cleaner or polish can remove stains and minimize scratches. Try Bar Keepers Friend, Signature Multi-surface Cleaning Polish and Conditioner, or Brasso Metal Polish.

- Always refer to the label on stainless steel cleaners and polishes, as instructions for proper use vary by type



**McCue Corporation**  
Peabody, Massachusetts, USA  
+1 (800) 800 8503  
customer@McCue.com

**McCue UK & Europe**  
Milton Keynes, United Kingdom  
+44 (0) 1908 365 511  
uksales@McCue.com

**McCue Asia**  
迈客(厦门)有限公司  
Xiamen, Fujian, China  
+86 592 2200790

[mccue.com](http://mccue.com)

